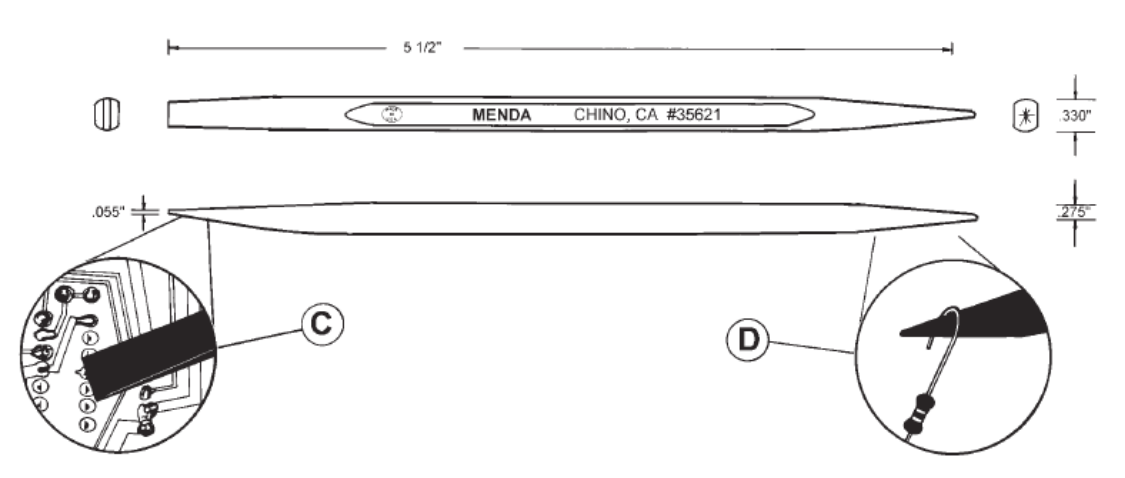


Non-Conductive Prober



A. MATERIAL: 15% Glass Filled Supertough Nylon

B. The hygroscopic (readily accepts moisture) properties of Nylon will make this tool suitable for use around ESD sensitive components after a few minutes of handling the tool with bare hands. If used with gloves in a clean environment the tools must be dipped in a topical antistatic solution before use in sensitive areas. Topical treatment should be repeated at six month intervals. Without exposure to moisture or antistatic treatment, Nylon is in the insulative resistance range and charges will not be removed to ground.

C. Flat "screwdriver" surface for spudging wire leads down flat on circuit boards.

D. Pointed end for forming wire leads or for use as pointer probe for holding objects for soldering.

Melting Point: 505°F (263°C)

Prober, Soldering Tool, Nylon		
3651 WALNUT AVE., CHINO, CA 91710 PHONE: (909) 627-2453 • FAX: (951) 755-8848 WEBSITE: MendaPump.com	DRAWING NUMBER 35621	DATE: November 2007

© 2007 DESCO INDUSTRIES INC.
Employee Owned